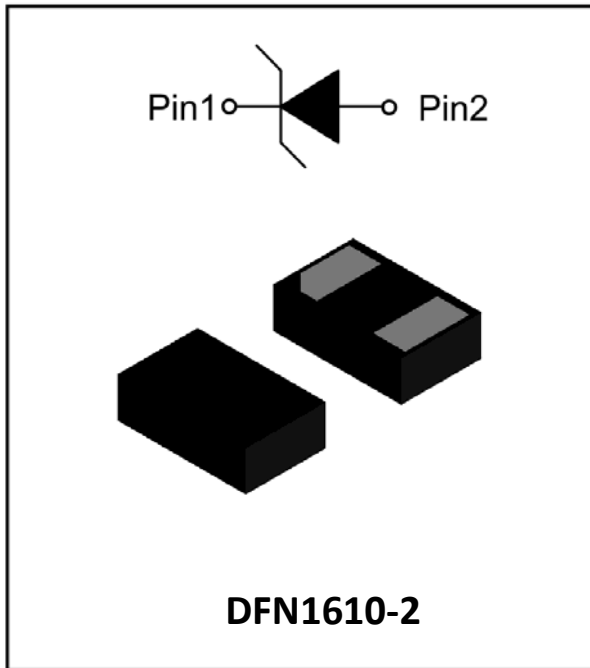


1-Line , Uni-directional , Transient Voltage Suppressor



Features

- Ultra small package
- Stand-off voltage: 7V ~15V
- Transient protection for each line according to
 - IEC61000-4-2(ESD): $\pm 30\text{kV}$ (contact)
 - IEC61000-4-4 (EFT): 80A (5/50ns)
 - IEC61000-4-5(surge)
- Low clamping voltage
- RoHS Compliant

Applications

- Power supply protection
- Power management
- Battery Contacts

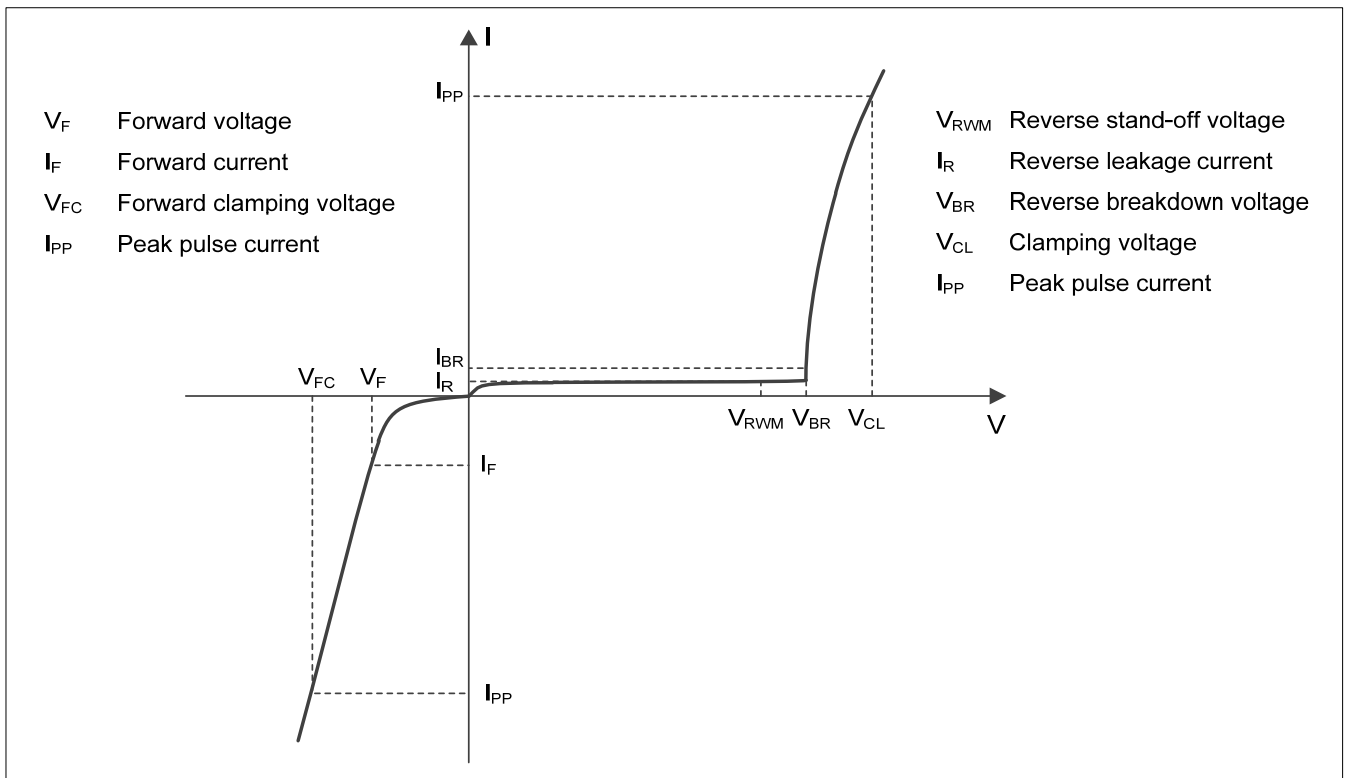
Mechanical Characteristics

- Package: DFN1610-2L
- Case Material: "Green" Molding Compound.
- Moisture Sensitivity: Level 3 per J-STD-020
- Marking Information: See Below



Device	Device code
ESD7V0P6A	7DA
ESD10VP6A	aDA
ESD12VP6A	cDA
ESD15VP6A	fDA

■Definitions of electrical characteristics





ESD7V0P6A THRU ESD15VP6A

■Absolute Maximum Ratings (Ta=25°C unless otherwise specified)

PARAMETER	SYMBOL	VALUE	UNIT
Peak pulse power ($t_p = 8/20\mu s$)	P_{pk}	1800	W
ESD IEC61000-4-2(ESD)Air	V_{ESD}	± 30	KV
ESD IEC61000-4-2(ESD)Contact		± 30	KV
Operating Temperature Range	T_J	-55~125	°C
Storage Temperature Range	T_{STG}	-55~150	°C

■Electrical Characteristics (Ta=25°C Unless otherwise specified)

Part Number	Reverse Working Voltage $V_{RWM}(V)$	Breakdown Voltage $V_{BR}(V)@I_T=1mA$			Reverse Leakage Current $I_R(\mu A)@V_{RWM}$		Forward Voltage $V_F(V)@I_F=20mA$		Junction Capacitance $C_j(pF)@VR=0V, f=1MHz$	
	Max	Min	Typ	Max	Typ	Max	Min	Max	Typ	Max
ESD7V0P6A	7	8	9	10	-	1	0.45	1.25	700	900
ESD10VP6A	10	10.7	11.3	12.3	-	1	0.45	1.25	545	650
ESD12VP6A	12	12.8	13.7	14.6	-	1	0.45	1.25	425	510
ESD15VP6A	15	15.5	17	18	-	1	0.45	1.25	325	380

Part Number	Rated peak pulse current IPP (A) ¹⁾	Clamping voltage VCL(V) @ IPP (A) ¹⁾	
	Max	Typ	Max
ESD7V0P6A	100	14	17
ESD10VP6A	86	17	20
ESD12VP6A	75	19	22
ESD15VP6A	60	27	30

Notes:

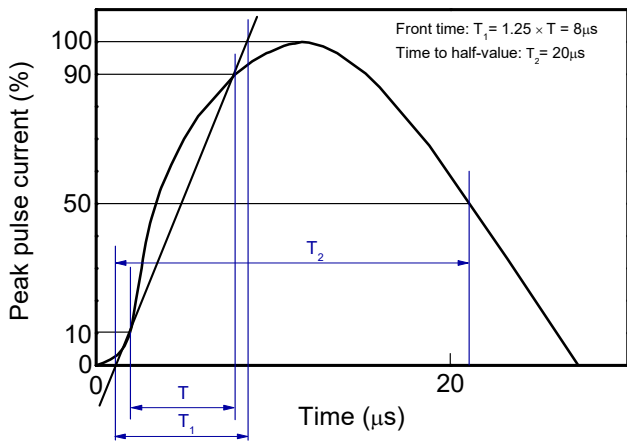
(1). Non-repetitive current pulse, according to IEC61000-4-5. (8/20 μs current waveform).



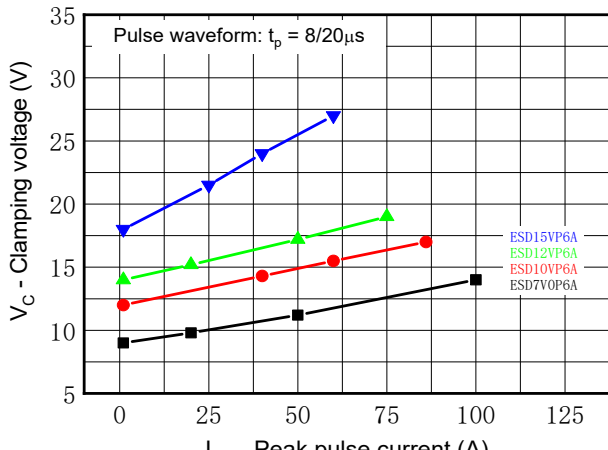
ESD7V0P6A THRU ESD15VP6A

■ Typical Performance Characteristics ($T_A=25^\circ\text{C}$ unless otherwise Specified)

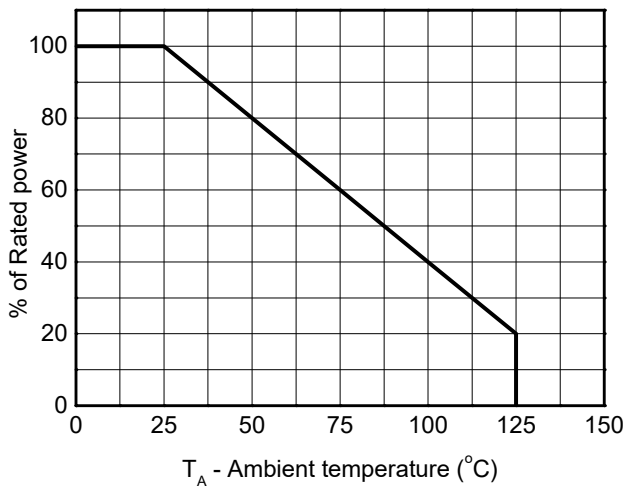
8/20 μs waveform per IEC61000-4-5



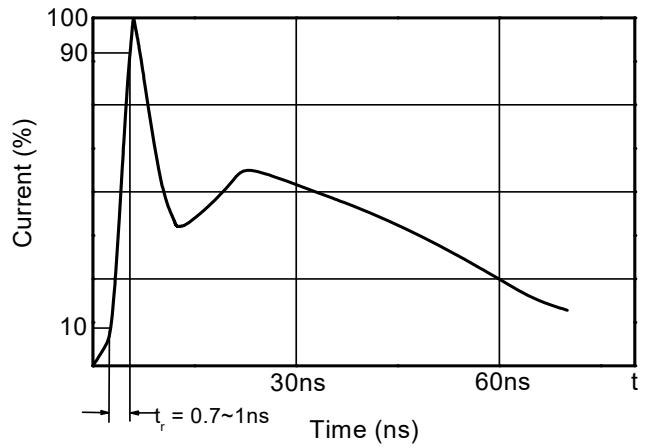
Clamping voltage vs. Peak pulse current



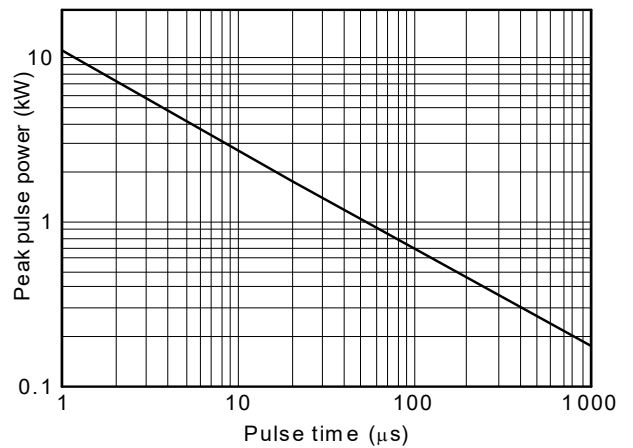
Power derating vs. Ambient temperature



Contact discharge current waveform per IEC61000-4-2



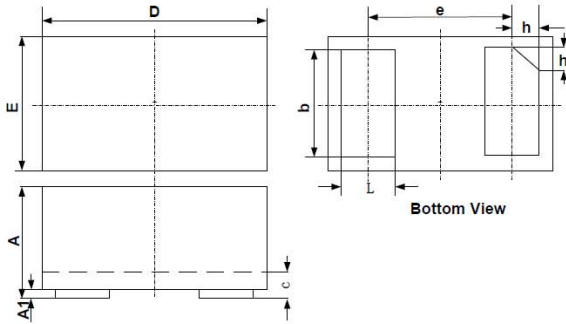
Non-repetitive peak pulse power vs. Pulse time





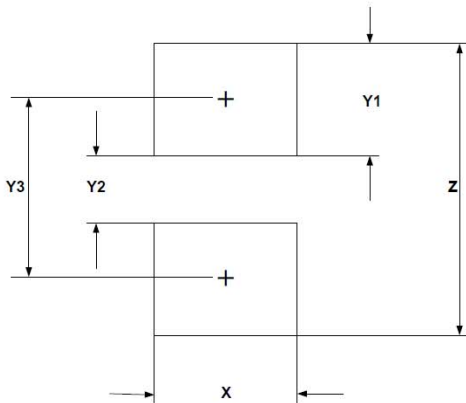
ESD7V0P6A THRU ESD15VP6A

■Outline Dimensions



SYM	DIMENSIONS					
	MILLIMETERS			INCHES		
	MIN	NOM	MAX	MIN	NOM	MAX
A	0.45	0.50	0.55	0.018	0.020	0.022
A1	0.00	0.02	0.05	0.000	0.001	0.002
b	0.75	0.80	0.85	0.030	0.032	0.034
c	0.10	0.15	0.20	0.004	0.006	0.008
D	1.55	1.60	1.65	0.062	0.064	0.066
e	1.10 BSC			0.044 BSC		
E	0.95	1.00	1.05	0.038	0.040	0.042
L	0.35	0.40	0.45	0.014	0.016	0.018
h	0.15	0.20	0.25	0.006	0.008	0.010

■Recommend land pattern (Unit:mm)



SYM	DIMENSIONS	
	MILLIMETERS	INCHES
X	1.00	0.040
Y1	0.62	0.025
Y2	0.60	0.024
Y3	1.22	0.049
Z	1.85	0.074

Notes:

This recommended land pattern is for reference purposes only. Please consult your manufacturing group to ensure your PCB design guidelines are met.



ESD7V0P6A THRU ESD15VP6A

Disclaimer

The information presented in this document is for reference only. Yangzhou Yangjie Electronic Technology Co., Ltd. reserves the right to make changes without notice for the specification of the products displayed herein to improve reliability, function or design or otherwise.

The product listed herein is designed to be used with ordinary electronic equipment or devices, and not designed to be used with equipment or devices which require high level of reliability and the malfunction of which would directly endanger human life (such as medical instruments, transportation equipment, aerospace machinery, nuclear-reactor controllers, fuel controllers and other safety devices), Yangjie or anyone on its behalf, assumes no responsibility or liability for any damages resulting from such improper use of sale.

This publication supersedes & replaces all information previously supplied. For additional information, please visit our website [http:// www.21yangjie.com](http://www.21yangjie.com) , or consult your nearest Yangjie's sales office for further assistance.